

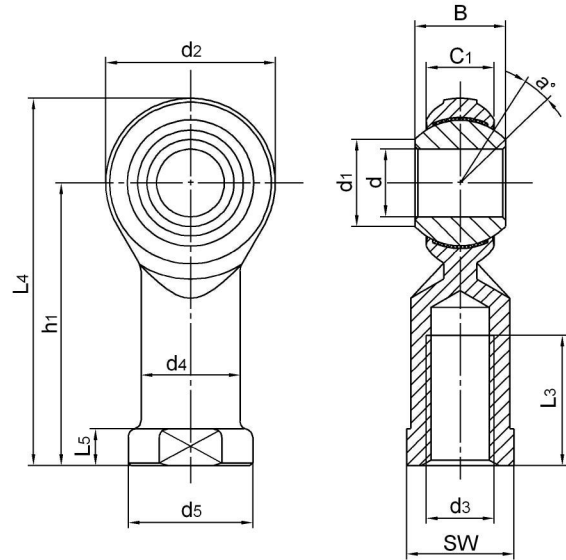
PHS..EC

Ball: Gcr15 Steel, heat treated, HRC58~64;
Precision ground, polished

Body: Carbon steel, Zinc plated,chromate treated

Race: PTFE composite

Sliding contact surfaces: Steel/PTFE composite



Bearing No.	Dimensions(mm)													Ball dia	a° mis. angle	Load ratings (KN)		weight ≈ Kg
	d _{H7}	B	C1 _{max}	d1	d2	d3-6H	h1	L3	L4	L5	d4	d5	SW			Dynamic	Static	
PHS5EC	5	8	6	7.7	16	M5	27	11	35	4	9	11	9	11.11	13	3.3	6.2	0.016
PHS6EC	6	9	6.75	8.9	18	M6	30	13	39	5	10	13	11	12.7	13	4.7	7.8	0.025
PHS8EC	8	12	9	10.3	22	M8	36	16	47	5	12.5	16	14	15.87	14	7.7	13.2	0.043
PHS10EC	10	14	10.5	12.9	26	M10	43	20	56	6.5	15	19	17	19.05	13	10.4	17.3	0.072
PHS12EC	12	16	12	15.4	30	M12	50	23	65	6.5	17.5	22	19	22.22	13	13.5	22.7	0.107
PHS14EC	14	19	13.5	16.8	34	M14	57	27	74	8	20	25	22	25.4	16	17.2	28.2	0.160
PHS16EC	16	21	15	19.3	38	M16	64	32	83	8	22	27	22	28.58	15	21	35.1	0.210
PHS18EC	18	23	16.5	21.8	42	M18x1.5	71	35	92	10	25	31	27	31.75	15	25	43.2	0.295
PHS20EC	20	25	18	24.3	46	M20x1.5	77	39	100	10	27.5	34	30	34.92	14	29.8	50.3	0.380
PHS22EC	22	28	20	25.8	50	M22x1.5	84	42	109	12	30	37	32	38.1	15	36.2	63.9	0.490

Can supply rod ends with different pitch or accuracy of thread.

For left-hand thread, suffix"L" is added to bearing numbers. eg.: PHS20ECL M20 x 1.5L-6H: